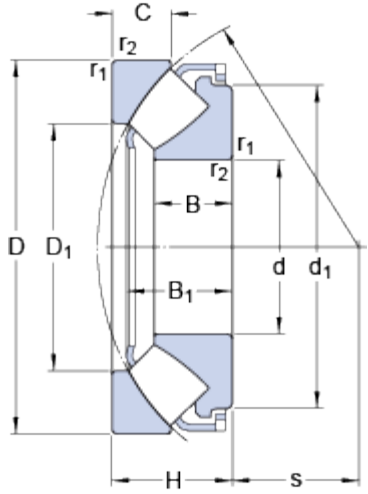


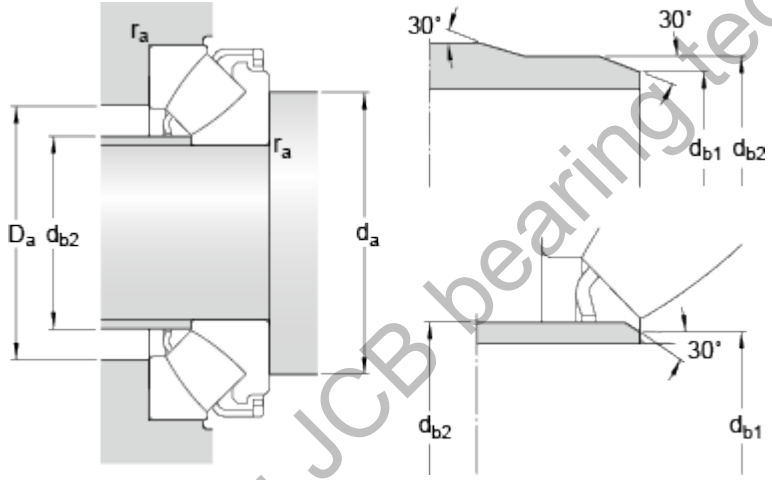
# 29330-YA8

## Dimensions



d	150	mm
D	250	mm
H	60	mm
d <sub>1</sub>	≈ 223	mm
D <sub>1</sub>	≈ 190	mm
B	38	mm
B <sub>1</sub>	54.9	mm
C	28	mm
s	87	mm
r <sub>1,2</sub>	min. 2.1	mm

## Abutment dimensions



d <sub>a</sub>	min. 195	mm
d <sub>b1</sub>	max. 158	mm
d <sub>b2</sub>	max. 163	mm
D <sub>a</sub>	max. 219	mm
r <sub>a</sub>	max. 2	mm

## Calculation data

Basic dynamic load rating	C	1000	kN
Basic static load rating	C <sub>0</sub>	2850	kN
Fatigue load limit	P <sub>u</sub>	315	kN
Reference speed		1500	r/min
Limiting speed		2400	r/min
Minimum axial load factor	A	0.77	

## Mass

Mass bearing		11	kg
--------------	--	----	----